



# 3" BORE STAINLESS STEEL CYLINDER

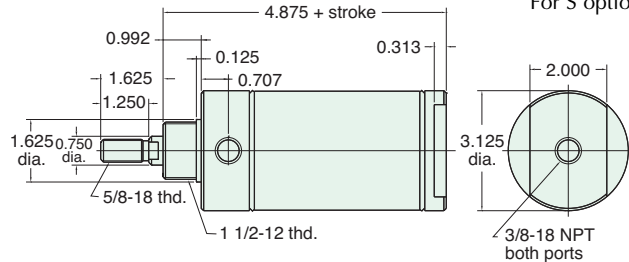
## SDR-48-□-□

Double Acting



**Mount:** Stud      **Standard Stroke Lengths:** 1", 2", 3", 4", 5", 6"  
**Type:** Rotating Rod      **Maximum Stroke:** 34"  
**Options:** M, W, V, P6, P7, P8, S, N

**Bumpers are standard**  
No additional length for bumpers  
For S option add 0.437



Nut included, but not shown on drawing

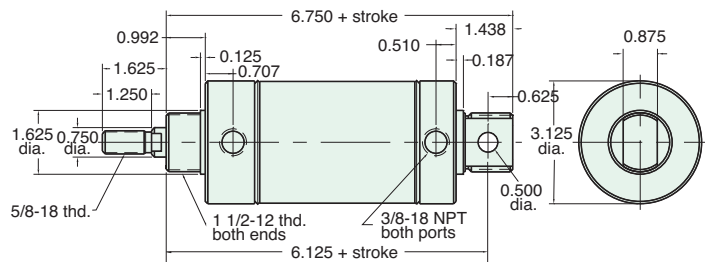
## UDR-48-□-□

Double Acting



**Mount:** Universal      **Standard Stroke Lengths:** 1", 2", 3", 4", 5", 6", 7", 8", 10", 12"  
**Type:** Rotating Rod      **Maximum Stroke:** 32"  
**Options:** M, W, V, P2, P3, P4, P5, P6, P7, P8, N

**Bumpers are standard**  
No additional length for bumpers



Furnished without nut(s). See Chart on Page 61.

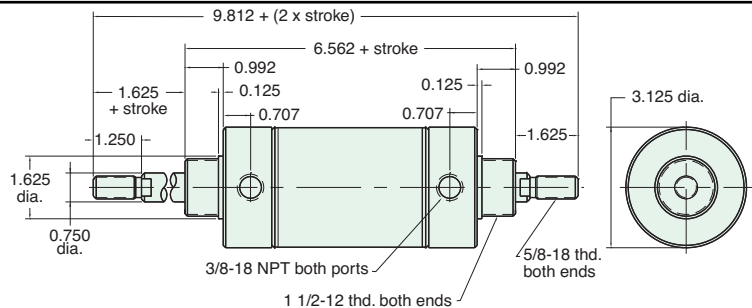
## SDD-48-□-□

Double Acting



**Mount:** Stud      **Standard Stroke Lengths:** 1", 2", 3", 4", 5", 6", 8", 10", 12"  
**Type:** Double Rod      **Maximum Stroke:** 15"  
**Options:** M, W, V, P6, P7, P8, N

**Bumpers are standard**  
No additional length for bumpers



Nuts included, but not shown on drawing

### Did you know...

Minimatic®, Maximatic®, Minimetric®, Fluidamp®, Octoport®, Air-2-Electric® and Air Force One® are all Clippard registered trademarks.

